

Product

DATA

Data sheet no DS0207710 EN
2012 • R1-2



Display 7" Economy



Article no 0207710

Orlaco Products - PO Box 193 - 3770 AD Barneveld - The Netherlands
Phone: +31 (0) 342 404 555 - Fax: +31 (0) 342 404 556 - E-mail: info@orlaco.nl - Internet: www.orlaco.com

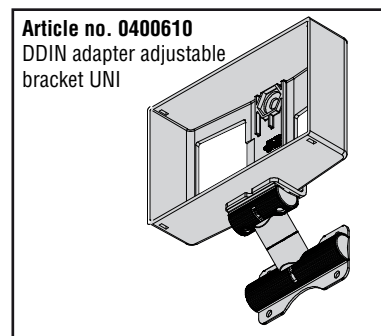
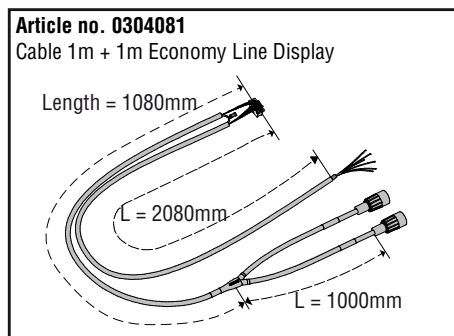
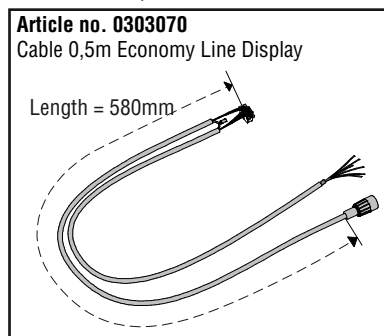
Technical Specifications

Display 7" Economy

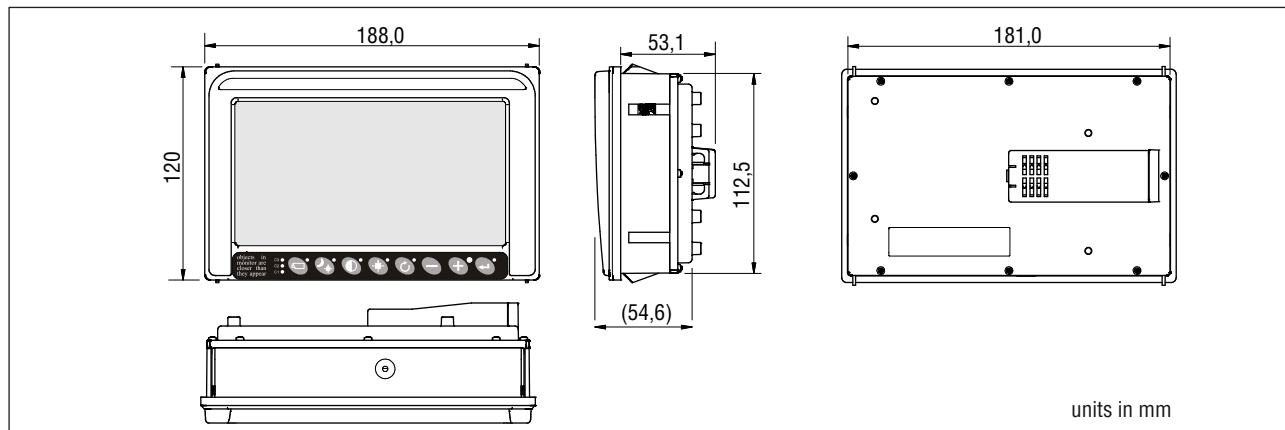
Article number	0207710
Weight	0,59kg.
Type	Automotive 7 inch TFT liquid crystal display module LED backlight.
Resolution	WVGA 800xRGBx480 pixels.
Viewing	70° horizontal and 60° vertical.
LED Life Time	20.000 Hrs.
Typical performance	Center luminance of white: 500cd/m ² , Response time 10 ms (Tr).
Software menu	On-Screen-Display (OSD) functionality for CMOS, CCC and AMOS rearview cameras.
ABC mode	Improved Auto Brightness Control (ABC) including one-touch day/night setting and adjustable minimum and maximum levels for automatic control.
Operating temperature	-30°C ..+75°C.
Electrical	
Input voltage range	12V / 24V/DC +/-10%.
Power consumption	4.8W at 24V.
Protection	>30V overvoltageprotection, <20V undervoltageprotection, protected against loaddumps, spikes and surges, reverse polarity on all wiring.
Power-output	12.8V/DC 1,5A for powering 2 cameras.
Video input	1Vtt, 75Ω, Pal 50 Hz, 4,43MHz color sub carr. NTSC 60 Hz, 3,58MHz color sub carr.
Certification	
Water- and dustproof	IP54 according IEC60529
EMC certification	Automotive 30V/M radiated immunity
Quality & environment	Units are manufactured by Orlaco in the Netherlands; ISO 9001:2000, ISO14001: 2004, ISO TS 16949.
FCC	This device complies with Part 15 of the FCC Rules. Operation is subject to the following two conditions: (1) this device may not cause harmful interference, and (2) this device must accept any interference received, including interference that may cause undesired operation.

Available documentation User Manual; UM0972040 and System Manual; SM0974080.

Accessories, not included.



Dimensions



All data subject to change without notice. All dimensions are for commercial purpose only. The camera/display systems from Orlaco comply with the latest CE, ADR, EMC and mirror-directive regulations. All products are manufactured in accordance with the ISO 9001 quality management system, ISO 14001 environmental management systems and all Ex products with the IECEx scheme and ATEX directives.



www.orlaco.com